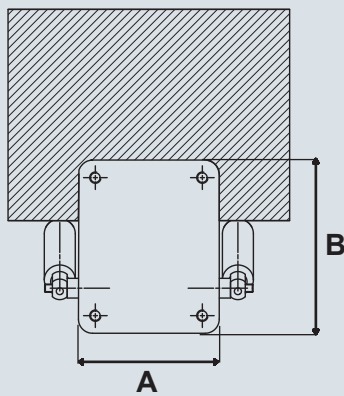
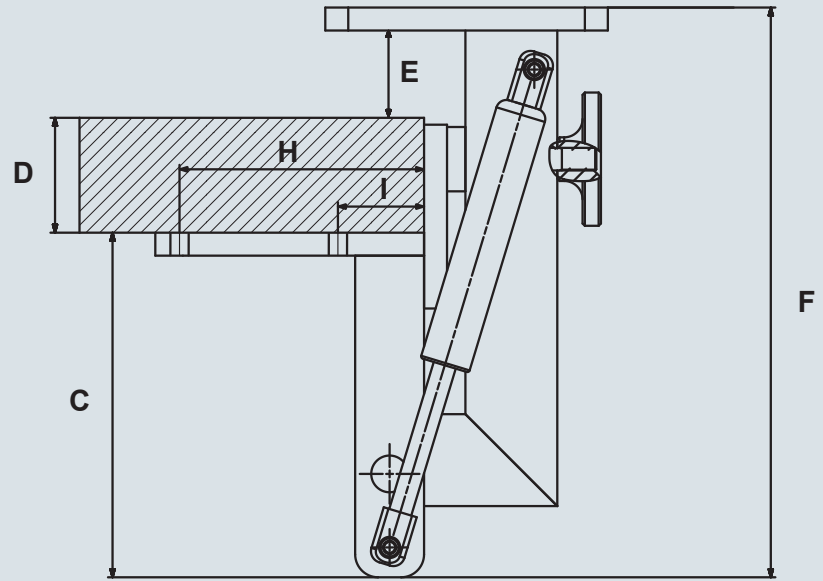
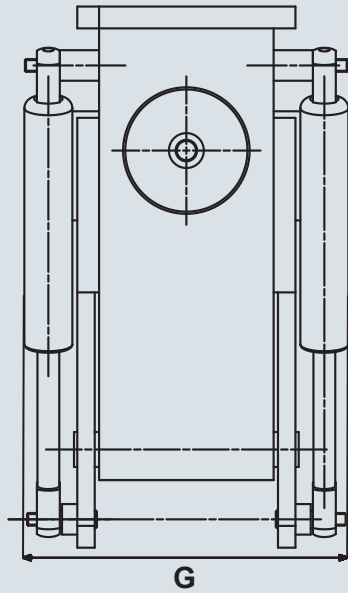


HEUER Collapsible



Technical specifications:

C (mm)	D (mm)	E (mm)	F (mm)	G (mm)	H (mm)	I (mm)
155	50	35	248	150	105	35

Jaw width* (mm)	Permitted Loading (kg)	Item No.	A (mm)	B (mm)
120	4 – 10	105 120	100	123
140	10 – 16	105 140	125	150

BROCKHAUS] [HEUER
GmbH

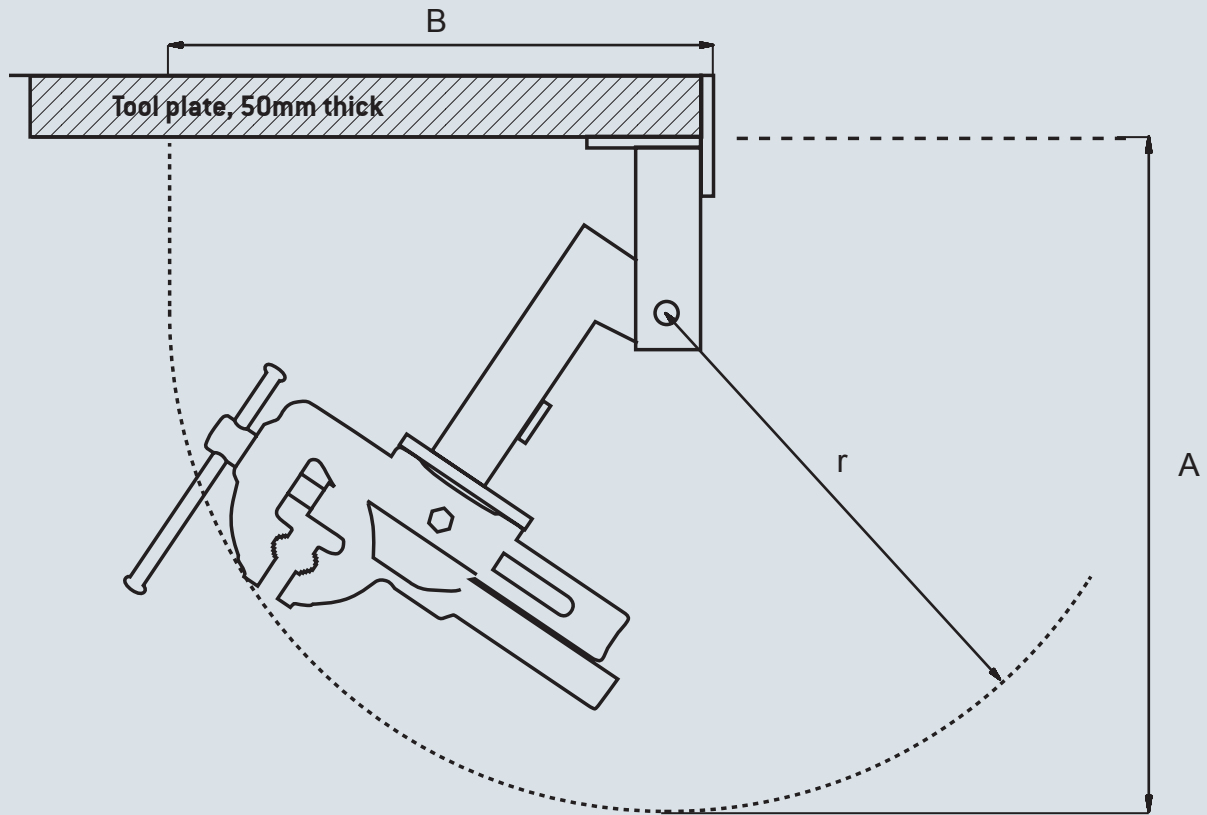
Oestertalstraße 54
 D-58840 Plettenberg (Germany)
 Phone: +49(0)23 91 - 60 29-0
 Fax: +49(0)23 91 - 60 29-29

info@heuer.de

*Details apply to HEUER vices. Also suitable for other makes provided that permitted loading weights are observed.
 When ordering please do not forget details of make and size.

Subject to technical modification

HEUER Collapsible



Technical specifications:

Jaw width* (mm)	Lowest depth (A) ¹ (mm)	Folding depth (B) ² (mm)	Swivel radius (R) ³ (mm)	Gas spring force (N)
120	495	410	390	500
140	535	455	430	900

BROCKHAUS **HEUER**
GmbH

Oestertalstraße 54
 D-58840 Plettenberg (Germany)
 Phone: +49(0)23 91 - 60 29-0
 Fax: +49(0)23 91 - 60 29-29

info@heuer.de

* Details apply to HEUER vices. Also suitable for other makes provided that permitted loading weights are observed.
 When ordering please do not forget details of make and size.

¹ From lower edge of workbench plate

² From front edge of workbench plate

³ Around point of rotation

Subject to technical modification