

Lift, rotate
ERGONOMICS²⁺
unattached



BROCKHAUS **HEUER**
GmbH

Oestertalstraße 54
D-58840 Plettenberg (GERMANY)
Tel.: +49(0)23 91 - 60 29-0
Fax: +49(0)23 91 - 60 29-29

info@heuer.de



Illustrations not colour matched, colour variations possible. Technical alterations subject to change without notice.

HEUER Stand Lift

The HEUER Stand-Lift is the perfect supplement to the Heuer Vice for ergonomic working without a workbench.

No matter which differing body sizes, tool sizes and type of work top be carried out, HEUER Stand-Lift units enable the perfect operating position to be adjusted effortlessly to the vice.

The adaptation of the vice to body size is an especially important factor for trainees in schools or trainee workshops, in order to avoid incorrect body posture and its serious consequences.

Items of different height, sizes and

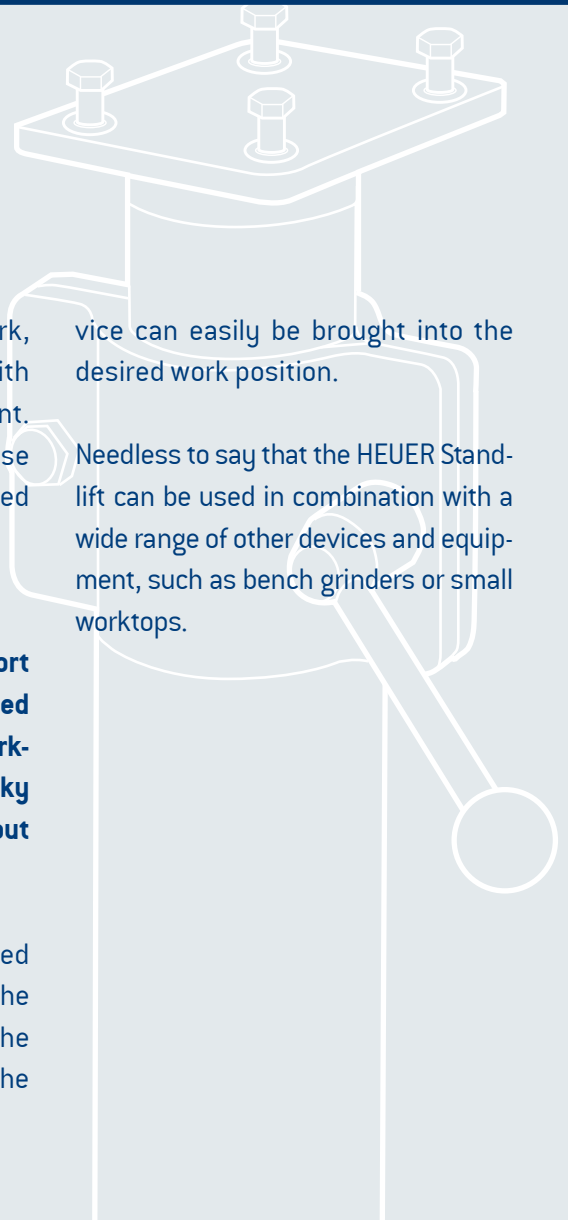
shapes requiring a variety of work, are effortlessly accommodated with the HEUER Stand-Lift equipment. The vice can be adjusted with ease to a height of 200mm and rotated through 360°.

The main attraction:
An extremely sturdy stand support makes flexible working in limited space possible, without a workbench. This allows working on bulky work pieces from all sides without any hindrances.

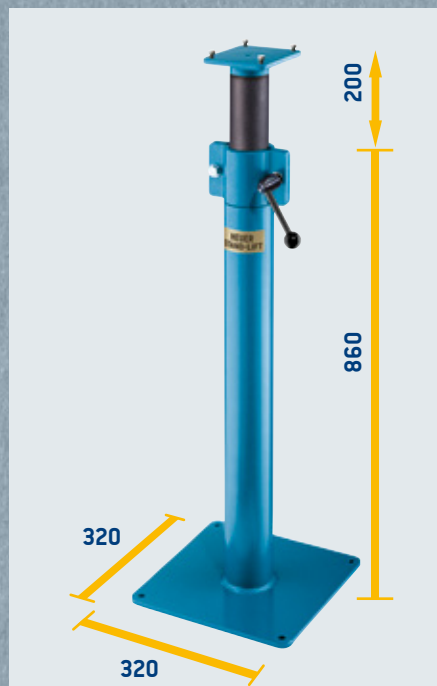
A gas shock absorber, specially tuned to the weight of the vice, makes the vice practically weightless. Once the clamp lever has been released the

vice can easily be brought into the desired work position.

Needless to say that the HEUER Stand-lift can be used in combination with a wide range of other devices and equipment, such as bench grinders or small worktops.



The HEUER Stand-Lift is immovably secured at the installation location with four foundation screws.



Width of jaw/mm *	Approx. Weight/kg	Permitted loading/kg	Item No.
120	21	4 - 10	117 120
140	21	10 - 16	117 140
160/180	21	16 - 29	117 160

* Data refers to HEUER Vices. Also suitable for other makes provided that permitted loading weights are observed. When ordering please do not forget details of make and size.