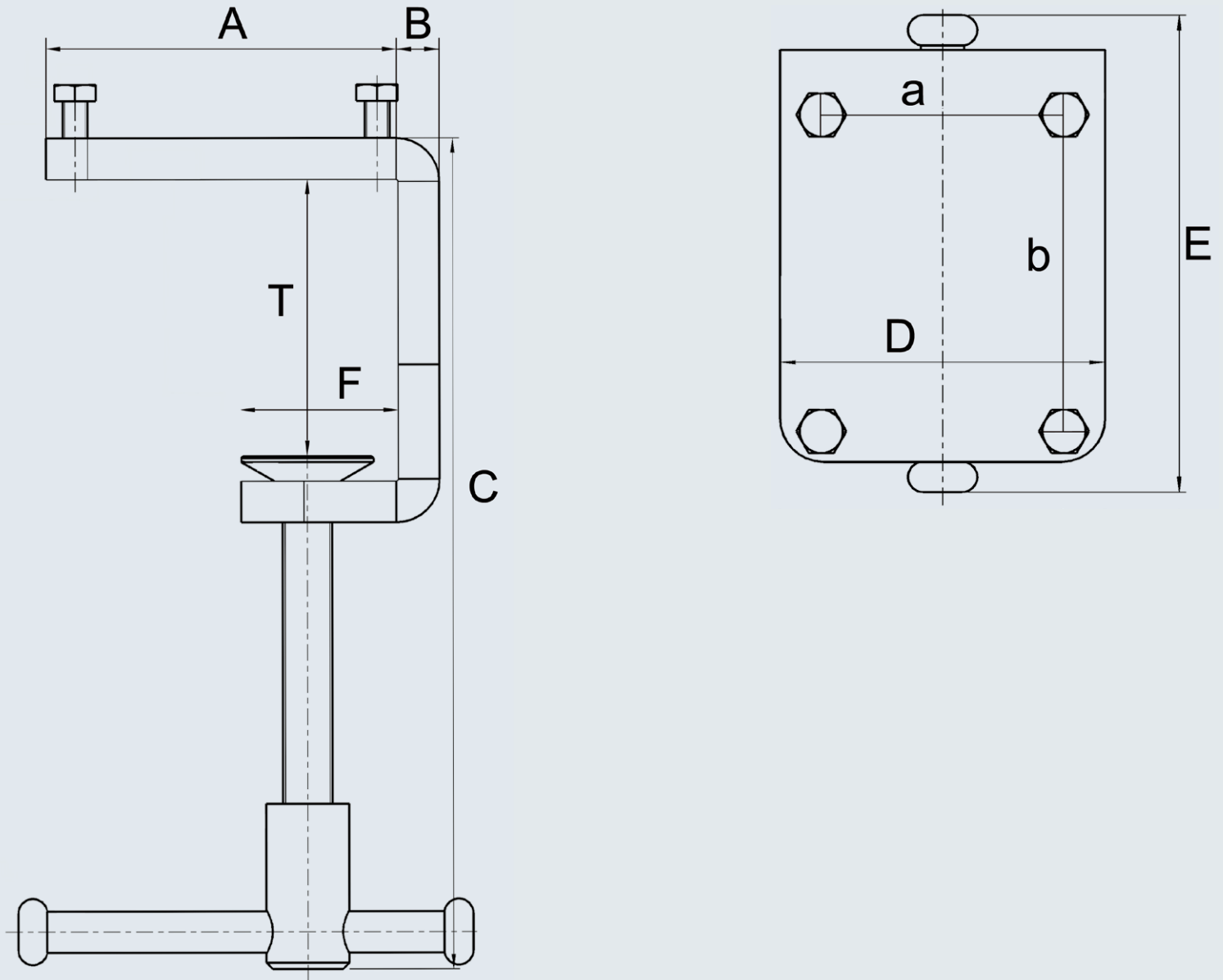


# HEUER Table-Clamp



## Technical specifications:

Jaw width (mm)	A (mm)	B (mm)	C (mm)	D (mm)	E (mm)	a (mm)	b (mm)
100	85	10	max. 201	75	110	56	73
120	119	10	max. 201	100	110	76	98

Jaw width (mm)	Weight (kg)	T (mm)	F (mm)	Hexagonal bolt	Item No.
100	1,0	10 – 60	40	M6	119 100
120	1,7	10 – 60	40	M8	119 120

**BROCKHAUS** **HEUER**  
GmbH

**Oestertalstraße 54**  
**D-58840 Plettenberg (Germany)**  
**Phone: +49(0)23 91 - 60 29-0**  
**Fax: +49(0)23 91 - 60 29-29**

[info@heuer.de](mailto:info@heuer.de)

Subject to technical modification